

Installation instructions for the ELUVA Box

The ELUVA Box contains all components for controlling battery systems, photovoltaic systems and other components. It automatically connects to the ELUVA server via a secure connection to receive updates and, depending on the project, to participate in balancing energy.

The box is available in two colours as standard: black with a yellow logo or grey with a black logo. Please let us know your preferences. Additional labelling is also possible.



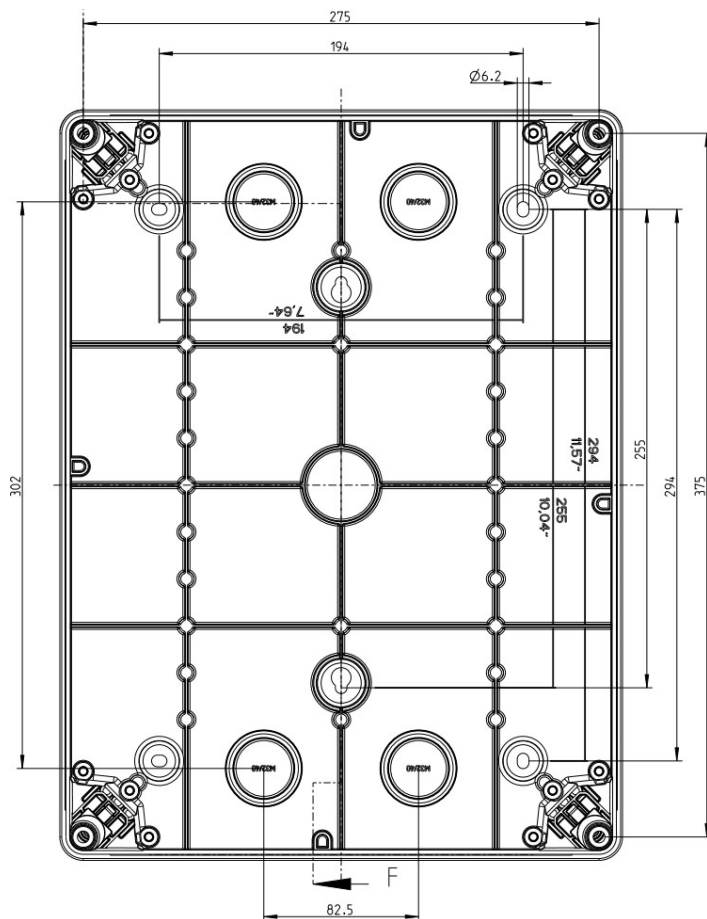
Dimensions (height x width x depth)	400 mm x 300 mm x 207 mm
Protection class	IP66
Mount	Wall mounting with 4 screws (not included)
Power	230V AC – 50 Hz into the box. Installation by on-site electrician, connection to DIN rail power supply inside the box. Entry from below.
Maximum power consumption	36 watts
Contents of the box	230 V to 24 V power supply Uninterruptible power supply Industrial computer with ELUVA software Secure 4G router incl. SIM
Communication	RJ45 patch cable for WAN connection in the router. Installation by on-site electrician. Introduction from below.
Radio	Mobile and Wi-Fi antenna included as standard inside the box. Can be antenna mounted outside.




ELUVA by CS2 AG, Gerbegässlein 1, 4450 Sissach, eluva.ch, 079 915 70 40

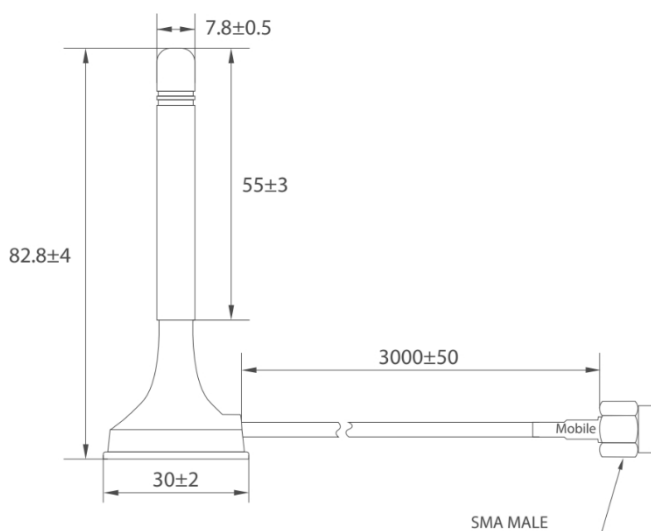


Hole pattern for wall mounting outside the sealed area: 375 mm high, 275 mm wide




 Screw / Schraube / Vis:
 A2; AiSi 304 /
 A4; AiSi 316
 b: 8,5 mm - 10,5 mm
 c: max. 6 mm

Extension for Teltonika antenna for mobile data connection when mounted inside metal premises or enclosures. Antenna cable length: 3 m. Antenna mounting method: magnetic.



ELUVA by CS2 AG, Gerbegässlein 1, 4450 Sissach, eluva.ch, 079 915 70 40

